

1 2 3 4 5 6 7 8 9 10

A

B

C

D

E

F

A

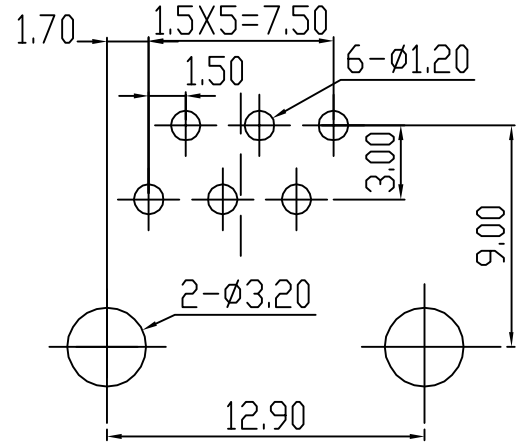
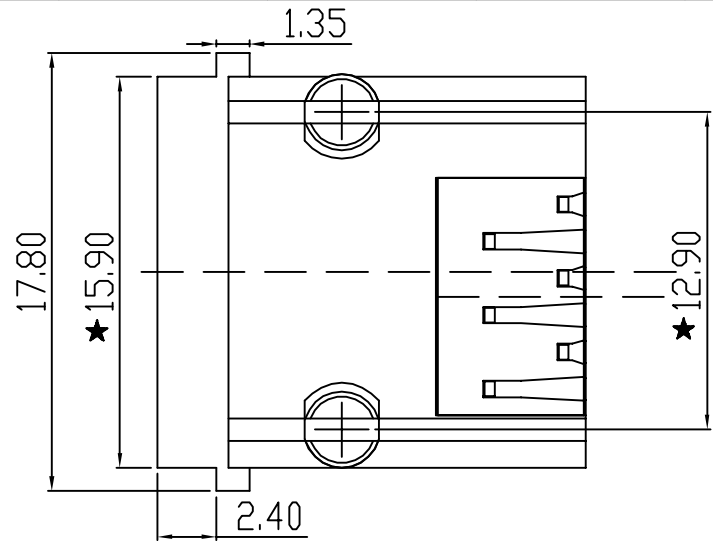
B

C

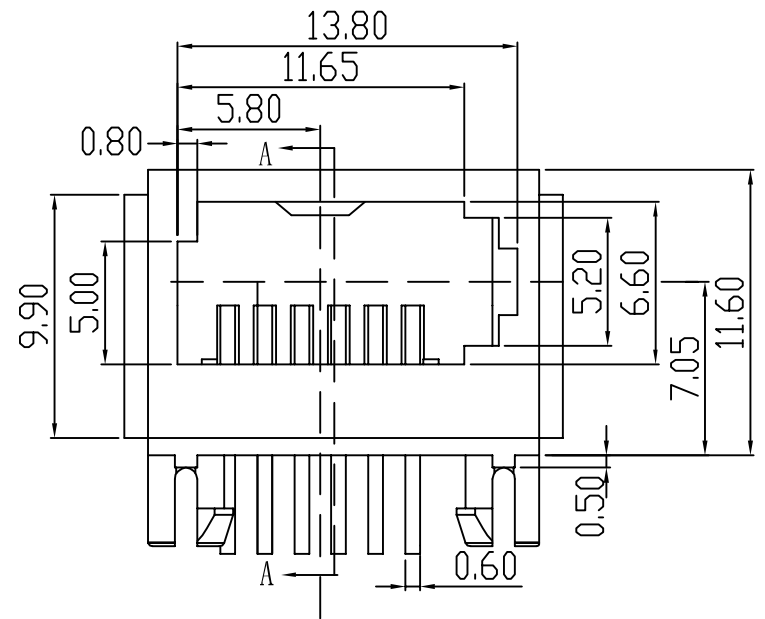
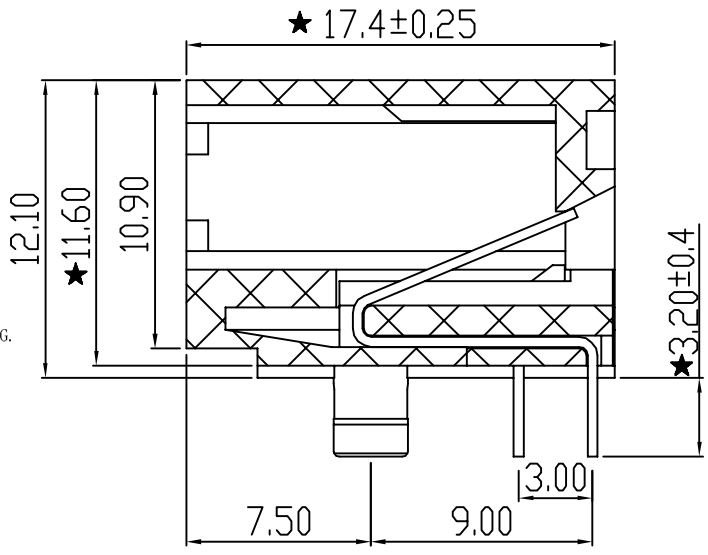
D

E

F



PC Board Layout



- NOTES:
- ELECTRICAL:
1. VOLTAGE RATING: 125 VAC RMS.
  2. CURRENT RATING: 1.5 AMP.
  3. CONTACT RESISTANCE: 30 MILLIOHMS MAX.
  4. INSULATION RESISTANCE: 500 MEGOHMS MIN @ 500 VDC.
  5. DIELECTRIC STRENGTH: 1000 VAC RMS 50Hz or 60Hz, 1MIN.
- MECHANICAL:
1. INSERT MATERIAL: UL94V-0.
  2. CONTACT MATERIAL: PHOSPHOR BRONZE T=0.4MM.
  3. PLATING: 1. CONTACT AREA-SELECTIVE GOLD PLATING.  
: 2. TAILS PLATING TIN OVER NICKEL.
  4. MATING/UNMATING FORCE: 2.2KG.F MAX.
  5. RETENTION STRENGTH: 7.7KG.F MIN BETWEEN JACK AND PLUG.
  6. OPERATING LIFE: 600 CYCLES MIN.
- ENVIRONMENTAL:
1. STORAGE: -40°C ~ +85°C RELATIVE HUMIDITY<70%.
  2. OPERATION: -40°C ~ +85°C.
- Remark:
1. The mark with★ is the key inspection dimension for QC

				Tolerances		Tel		Coorle 库乐科技					
						Fax							
			. X	±0.25	Draw		Name		UK JACK-DJ 6P6C右				
			. XX	±0.20	Ch'k		Part Number						
A/0	First edition		2018.12.12	. XXX	±0.10	App'd		Type		UK		Figure Number	
REV	Change Description		Date	Angle	±3°	Units: mm		Mt'l: (Attach)		View:		Scale: 1:1	

1 2 3 4 5 6 7 8 9 10